



Glass Wipe Board

Ready To Ship Boards
Installation Instructions

simply **glass**
wipe boards

Invisible Fixings



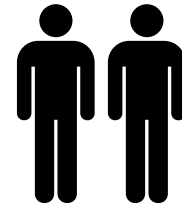
Warning

Serious injury can occur from incorrect installation. To prevent this please read the instructions carefully before you start installation. If you are uncertain seek further advice. Only use the split battens provided.

Screw(s) and plug(s) for the wall are not included. Use screw(s) and plug(s) suitable for your wall type. If you are uncertain, seek professional advice.

Read and follow each step of the instruction carefully

These instructions are based on two persons undertaking the installation.



TOOLS REQUIRED

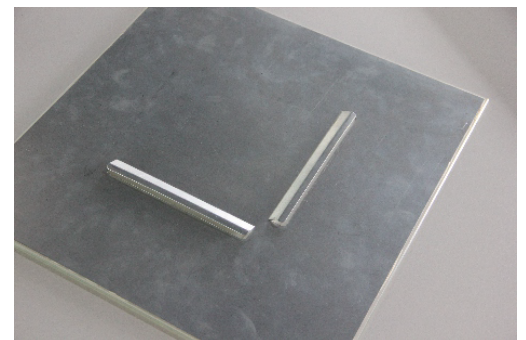
- Cordless drill
- 6mm Drill Bit
- Cross Ply Screwdriver
- Measuring Tape
- Spirit Level
- Pencil
- Straight edge*

FIXTURES & FIXINGS REQUIRED

- Two aluminium wall bars (supplied):
- Appropriate screws and fixings for your wall type.

These could include:

- metal plaster board spirals for plasterboard with cavity,
- rawl plugs for solid walls
- or, wood screws for fixings into timber.



 Please ensure that the wall fixings you get will support the weight of the glass board

**By straight edge we mean a tool that when held to the wall checks for flatness of the surface. This could be a long spirit level, ruler or piece of straight timber (at least one metre long)*

1

Choose the position you would like for your board on the wall



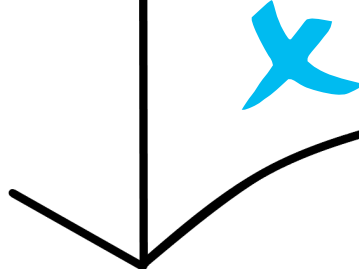
Do not position above a heat source such as a radiator – This can effect the adhesive

2

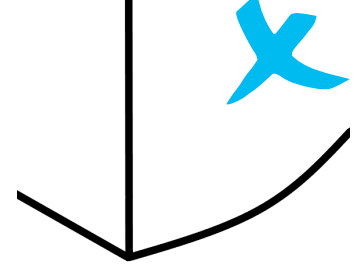
Ensure the wall your board is to be mounted on is flat and plumb using a straight edge*.



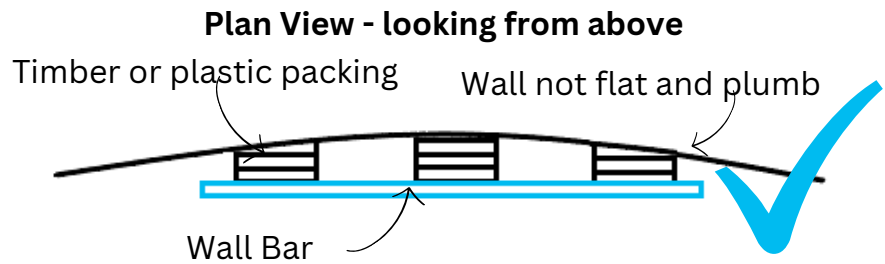
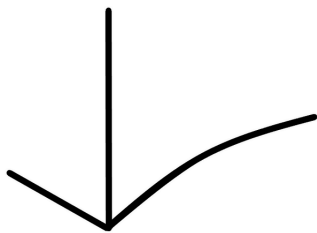
If it is flat and plumb continue to step 3.



If it is not flat and plumb, pack out the wall as indicated below.



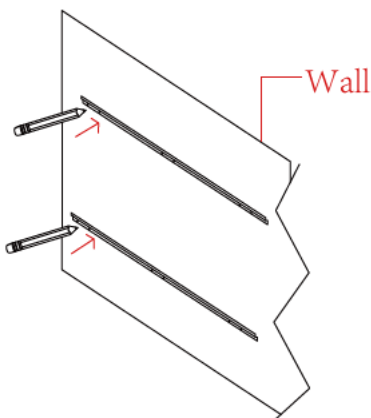
If your wall is not flat and plumb and you do not pack out the wall as instructed this could result in putting the backing of your board under undue stress and cause it, over time, to come away from your board.



If you find your wall is not flat and plumb this can be corrected by using thin timber or plastic packers (for example plastic frame packers from a local hardware store) until the wall is flat and plumb. This will ensure the aluminium wall bar remains secure.

3

Setting your wall batten:



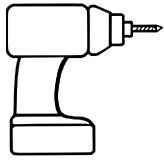
Exercise care and ensure measurements are correct

Place the aluminium wall bar against the wall. Use a spirit level or laser level to ensure the bar is set level/horizontal and mark, with a pencil, where the screws will be fixed on your wall.

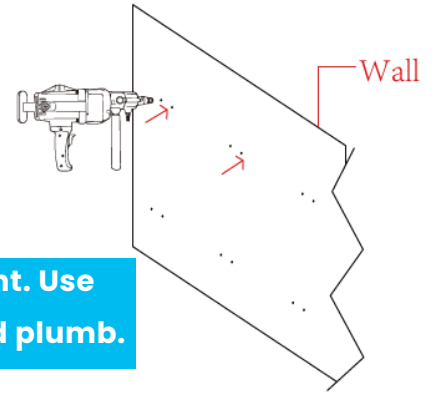


Note: The wall bar is pre-drilled, but if required to suit the your wall/partition you can drill further holes in the wall bar as required, for example if you are fixing into a timber stud wall you can position the holes to align with the vertical/horizontal timber framing.

4

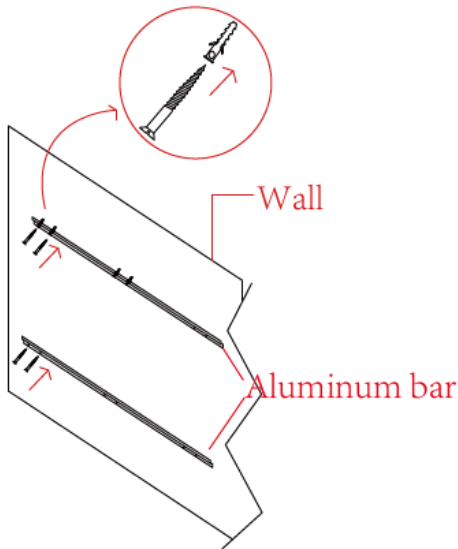


Using the marking in the step 3, drill into your wall to accommodate your chosen wall fixings.

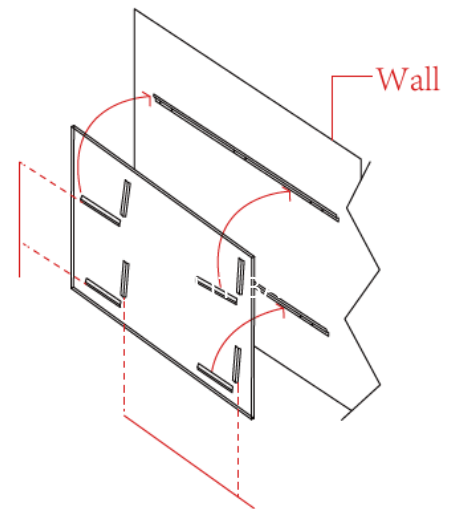


Do not bend the wall bar to the shape of the wall at any point. Use packing if required as noted in Step 2. It must remain flat and plumb.

5



Securely fix your aluminium wall bars to the wall.

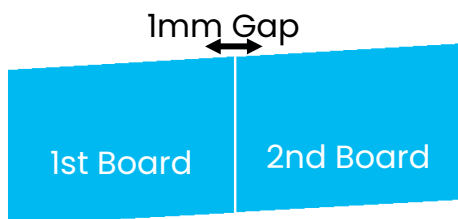


6

Now you are ready to hang your board on the wall bars. This is best done by two people. The board simply hooks over the wall bars.

Your glass wipe board is now ready to use – congratulations!

Mounting Multiple Boards Side by Side



If you are mounting multiple boards side by side follow step 1 - 6 above for each board. When you are ready to hang the boards ensure that you leave a 1mm gap between glass edges and that no glass to glass contact occurs as this will lead to the boards fragmenting. We would recommend using a 1mm plastic packer or thin card on the adjoining glass edges temporarily while you hang the boards.